



3/2-Way Automatic Valve

Product Description

Automatic 3-way valve in stainless steel, with floating precision ball. The valve is pneumatically (double or single-acting) operated and is characterised by long service life and high operational safety.

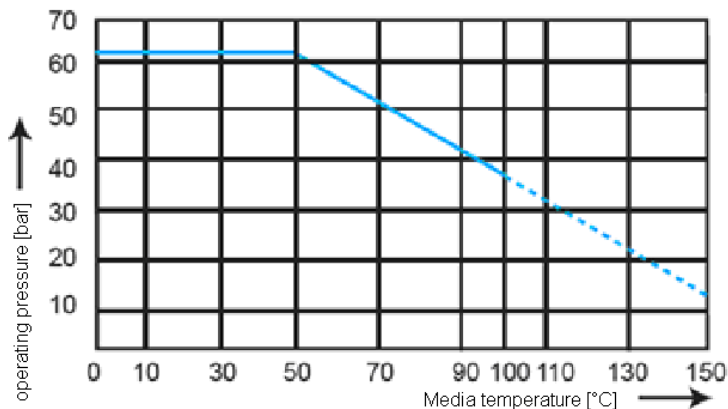
Technical Data 3/2-Way Ball-valve

Nominal size	DN12 – DN38	
Connection	Female thread Rp 1/2" to Rp 2" acc. to ISO 7-1	
Mounting position	Random	
Nominal pressure range	DN 12 – 20: PN 63 DN 25 – 38: PN 50	
Operating pressure	See Pressure-Temperature Diagram	
Temperature range	- 20 °C to 180 °C	
Materials	Housing:	stainless steel AISI 316 (1.4408)
	Ball:	stainless steel AISI 316 (1.4401)
	Stem:	stainless steel AISI 316 (1.4401)
	Ball seal:	PTFE
	stem seal:	PTFE+ FKM
Flow material	Neutral gases and fluids (other mediums upon request)	
Flow direction	As desired	

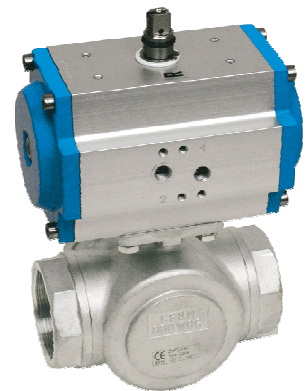
Technical Data Actuator GTD/GTE

Control pressure	2 to 8 bar
Control medium	Air or neutral gases (further mediums upon request) acc. to DIN ISO 8573-1 class 4 (min. requirement)
Ambient temperature	-50°C to +70°C (Standard)
Actuation	Pneumatic double or single-acting
End position setting	+5° to -5° adjustable in both end positions
Interfaces	acc. to EN ISO 5211 and VDI/VDE 3845

Pressure-Temperature Diagram



Type PKT



Product Features

- Reduced bore
- 4-fold support of the ball
- Maintenance-free
- optionally extras with limit-switch-boxes and solenoid valves, positioners
- blow-out secure shaft
- application also in vacuum and high flow speeds
- alternatively also with electric actuation, manual lever or gear-driven available

Special Versions

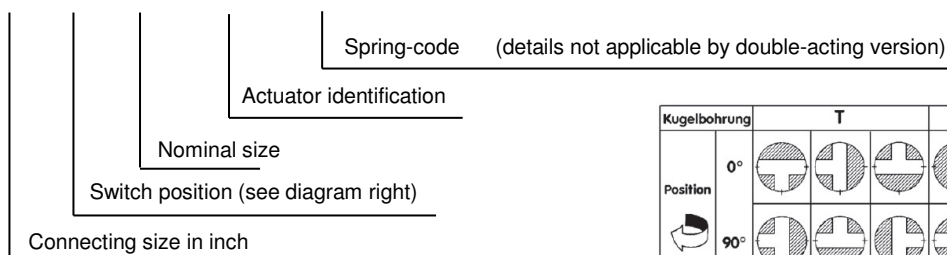
- on demand

Table of Dimensions

Nominal size		Actuator	A	B	C	D	E	F	G	H	I	J	K	SW	Weight (kg)
(Rp ")	(DN)														
1/2	12	048	116	72	152	10	G 1/8"	61,5	46	65	37	36	20	28	1,5
		058	132		161			68,5	50	74					1,9
		068	137		175			80	60	88					2,3
3/4	15	048	116	83	160	10		61,5	46	65	42	41,5	23	32,5	1,7
		058	132		169			68,5	50	74					2,15
		068	137		183			80	60	88					3,2
1	20	058	132	99	181	10		68,5	50	74	48,5	49,5	28	41	2,7
		068	137		195			80	60	88					3,2
		078	161		207			92,5	65	100					4,1
5/4	25	068	137	112	208	10		80	60	88	55,5	56	34,5	49,5	3,7
		078	161		220		92,5	65	100	4,8					
		088	180		228		99,5	67	108	5,3					
3/2	32	078	161	125	232	10	G 1/8"	92,5	65	100	63	62,5	37,5	56,5	5,5
		088	180		240		G 1/8"	99,5	67	108					5,9
		098	209		249		G 1/8"	110,5	70	117					7,4
		110	222		272	14	G 1/4"	120	90	140					9,6
2	38	088	180	149	260	10	G 1/8"	99,5	67	108	73,5	74,5	48	69,5	7,9
		098	209		269	14	G 1/8"	110,5	70	117					9,4
		110	222		292	20	G 1/4"	120	90	140					11,6

Ordering Code

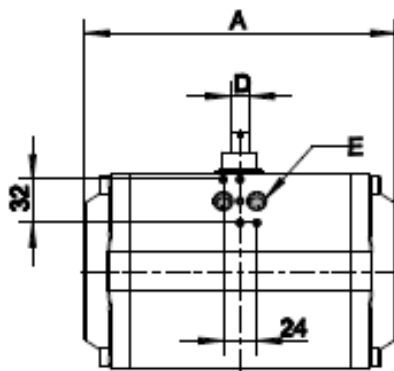
PKT - 1/0 - T2 - 020 - 068 - 07



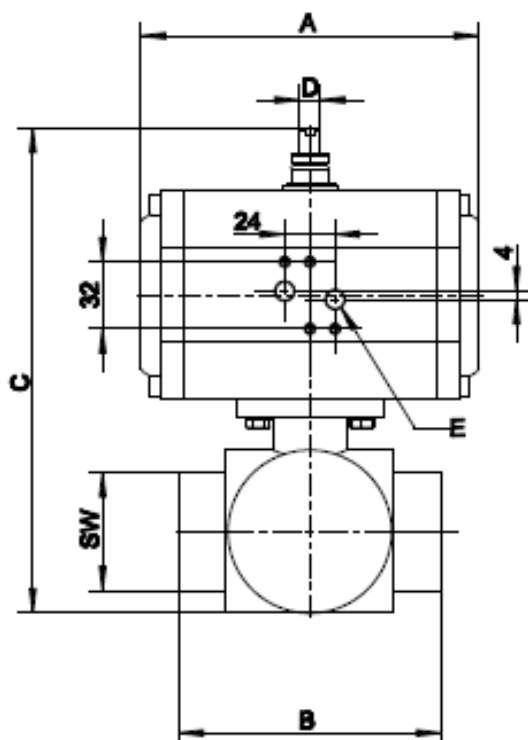
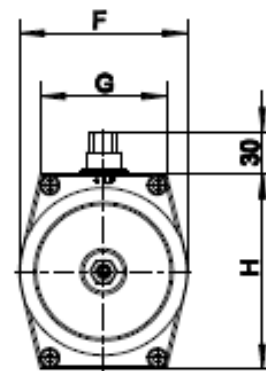
Kugelbohrung		T	L
Position	0°		
	90°		
Schaltstellung		T 1	L 4

Switching positions

Dimensions



Actuator profile starting at size 110



Actuator profile up to size 098

