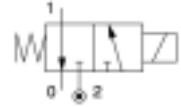


## General information

Lucifer ref.: E131K06	Body: Brass body
Global ref.: 7131KBG2JV00	Seat disc: FKM
Housing ref.: 2995	Ways notation: 3/2
Coil ref.: 481865	Valve function: Normally closed
Protection class: -	Valve actuation: Direct operated
Assembly wt. (g): 310	Mounting: Pipe mounting



## Specifications

### Connection / Orifice

Port size (inches): 1/4  
 Nom. dia. (mm): 2  
 Orifice EXH. (mm): 2.5

### Flow factors

Qn (L/min): 140  
 Qn EXH. (L/min): 220  
 C (dm<sup>3</sup>/s bar): 0.52  
 Kv (L/min): 2.5  
 Kv EXH. (L/min): 3.5  
 Qmax (L/min): 8

### Temperature values (°C)

#### a. Fluid temperatures

	Min.	Max.
With air:	-10	100
With water:	0	100
With steam:	-	-
With oil:	-10	100

### Pressure values (Bar)

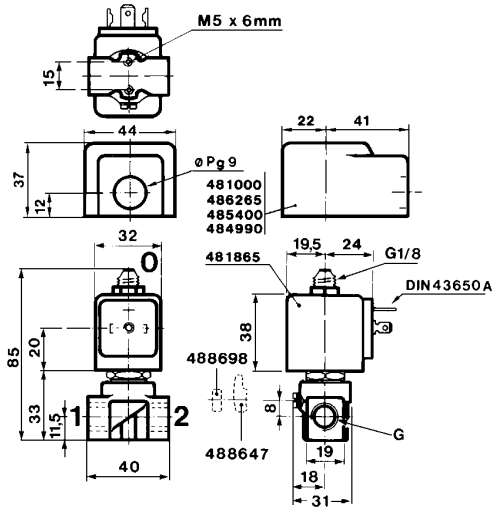
Min. pressure: 0.00  
 Max. press. (DC): 10.00  
 Max. press. (AC): 10.00

### Power values (W)

Power DC: 9  
 Power AC: 8

#### b. Ambient temperatures

Minimum: -10  
 Maximum: 50



Dimension drawing