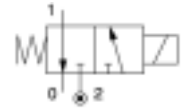


## General information

<b>Lucifer ref.:</b> E131K0650 Note 1	<b>Body:</b> Brass body
<b>Global ref.:</b> 7131KBG2JVM0	<b>Seat disc:</b> FKM
<b>Housing ref.:</b> 2995	<b>Ways notation:</b> 3/2
<b>Coil ref.:</b> 481865	<b>Valve function:</b> Normally closed
<b>Protection class:</b> -	<b>Valve actuation:</b> Direct operated
<b>Assembly wt. (g):</b> 310	<b>Mounting:</b> Pipe mounting



## Specifications

### Connection / Orifice

Port size (inches): 1/4  
 Nom. dia. (mm): 2  
 Orifice EXH. (mm): 2.5

### Flow factors

Qn (L/min): 140  
 Qn EXH. (L/min): 220  
 C (dm<sup>3</sup>/s bar): 0.52  
 Kv (L/min): 2.5  
 Kv EXH. (L/min): 3.5  
 Qmax (L/min): 8

### Temperature values (°C)

#### a. Fluid temperatures

	Min.	Max.
With air:	-10	100
With water:	0	100
With steam:	-	-
With oil:	-10	100

### Pressure values (Bar)

Min. pressure: 0.00  
 Max. press. (DC): 10.00  
 Max. press. (AC): 10.00

### Power values (W)

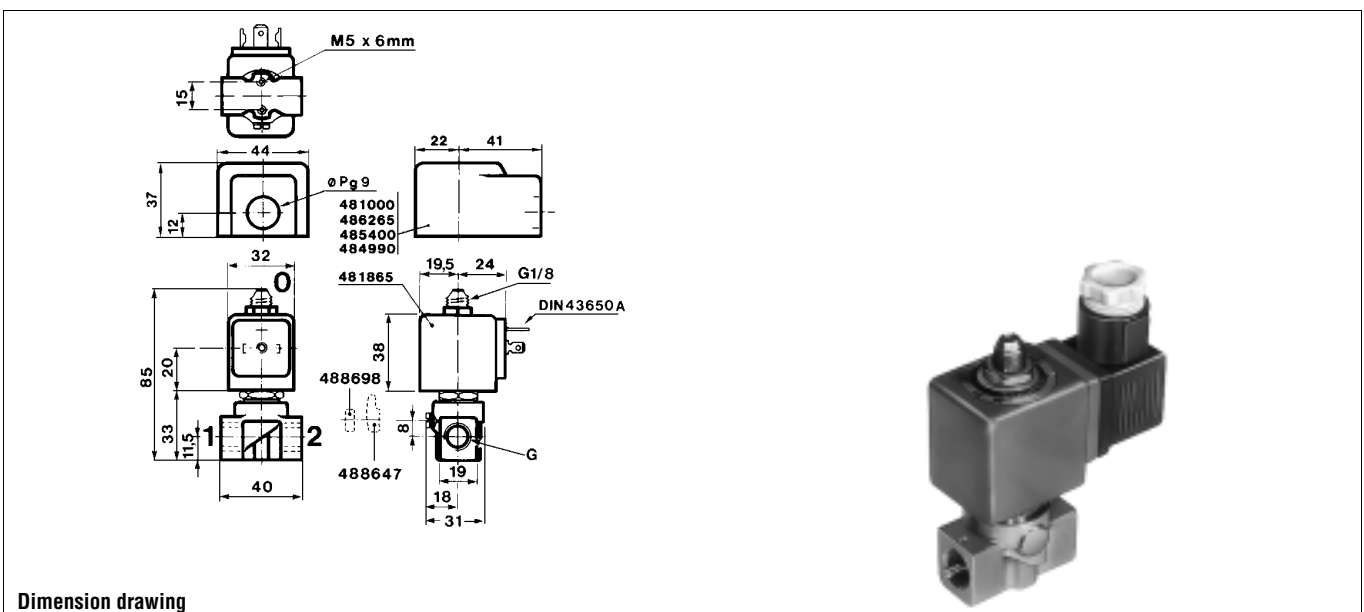
Power DC: 9  
 Power AC: 8

#### b. Ambient temperatures

Minimum: -10  
 Maximum: 50

## Notes

- 1 Manual override standard



Dimension drawing