

Switch disconnectors

A modular and flexible range



Contact gap
7 mm
(norm >5.5 mm)

**Reversible
terminal feature**

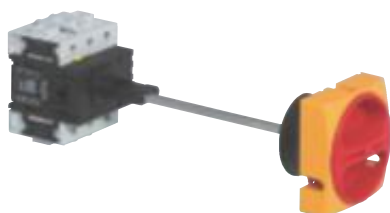
► IN ENCLOSURE



- Degree of protection: up to IP 66
- For 25A to 100A size switches (see Ithe (A) p. 316)
- Cable entries with pre-formed knockouts
- Tamper-proof cover with padlockable handle
- Recessed area for optional plate
- A wide choice of associated contact blocks and enclosures versions available

Pages 299 and 305

► WITH CLUTCH DRIVE



- Metal cuttable shafts
- With or without door interlock system
- Short or long metal shaft available

Pages 298 and 303

Complete switch disconnectors 20 A

IP 40 as standard, IP 65 on request



Characteristics (p. 316)

▶ FRONT MOUNTING

PADLOCKABLE PRESENTATION

Cat. No.



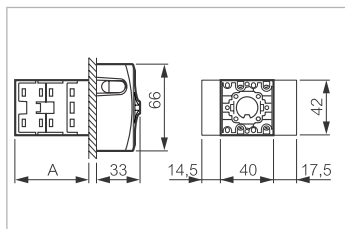
172921

20 A - non-reversible terminals

3P
3P+NC/NO(1)
4P

172901
172911
172921

(1) Padlock with \varnothing 6 to 8 mm

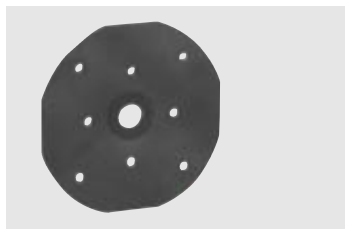


Dimensions

A: 46 (3P/4P)
56 (3P+NC/NO)

ACCESSORIES

Cat. No.



172945

IP65 seal kit

For front mounting with screws

172945

Terminal covers

For front mounting with screws

172965

Complete switch disconnectors 25 to 100 A

IP 40 as standard, IP 65 on request

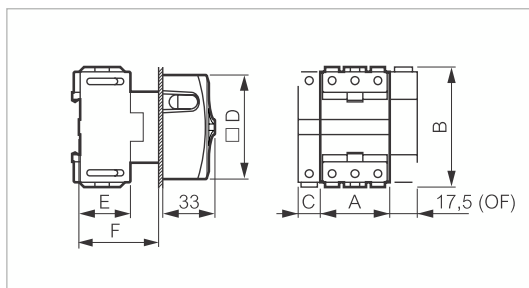


Characteristics (p. 316)

FRONT MOUNTING

PADLOCKABLE PRESENTATION

Cat. No.



Safety switch to disconnect and isolate poles.
 IP 20 "finger safe"
 Double break type load switching
 Red padlockable handle on yellow plate
 Actual position (ON or OFF) clearly visible
 Conform to standards:
 IEC EN 60947-3
 Approved by UL - cUL – Suitable as motor disconnect



172001

Dimensions	
A:	44
B:	75.4
C:	14.5
D:	□ 66
E:	36
F:	50

25 A	
3P	172001
3P+NC/NO (1)	172011
4P neutral on left	172021



172201

Dimensions	
A:	53.6
B:	85
C:	17.9
D:	□ 66
E:	50.3
F:	60

32 A	
3P	172101
4P neutral on left	172121



172401

Dimensions	
A:	71.8
B:	93
C:	26.8
D:	□ 86
E:	63.8
F:	70

50 A	
3P	172201
4P neutral on left	172221

63 A	
3P	172301
4P neutral on left	172321

80 A	
3P	172401
4P neutral on left	172421

100 A	
3P	172501

(1) Padlock: ø 6 to 8 mm

Complete switch disconnectors 25 to 100 A

IP 40 as standard, IP 65 on request

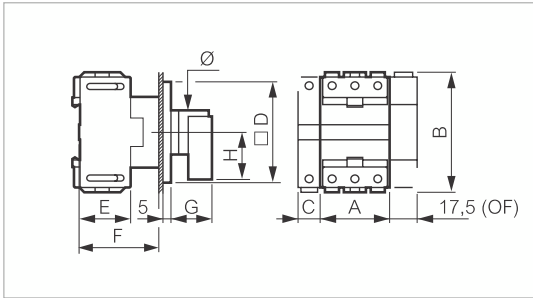


Characteristics (p. 316)

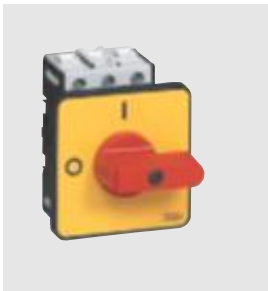
FRONT MOUNTING

WITH PLATE, FRAME AND HANDLE

Cat. No.



Safety switch to disconnect and isolate poles.
 IP 20 "finger safe"
 Double break type load switching
 Red handle on yellow plate
 Actual position (ON or OFF) clearly visible
 Conform to standards:
 IEC EN 60947-3
 Approved by UL - cUL – Suitable as motor disconnect



172002

Dimensions	
A:	44
B:	75.4
C:	14.5
D:	□ 64
E:	36
F:	50
G:	26
H:	22
Ø:	28

25 A

3P

172002

32 A

3P

172102



172202

Dimensions	
A:	53.6
B:	85
C:	17.9
D:	□ 72
E:	50.3
F:	60
G:	26
H:	30
Ø:	28

50 A

3P

172202

63 A

3P

172302



172402

Dimensions	
A:	71.8
B:	93
C:	26.8
D:	□ 96
E:	63.8
F:	70
G:	31
H:	34
Ø:	42

80 A

3P

172402

100 A

3P

172502

Complete switch disconnectors 25 to 100 A

IP 65

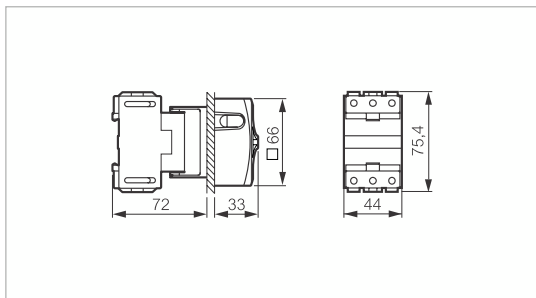


Characteristics (p. 316)

▶ FRONT MOUNTING

PADLOCKABLE PRESENTATION Ø 22 SINGLE-HOLE MOUNTING

Cat. No.



Safety switch to disconnect and isolate poles.
 IP 20 "finger safe"
 Double break type load switching
 Red handle on yellow plate
 Actual position (ON or OFF) clearly visible
 Conform to standards:
 IEC EN 60947-3
 Approved by UL - cUL – Suitable as motor disconnect

25 A

3P

172003

32 A

3P

172103



172003

Complete switch disconnectors 25 to 100 A

IP 40 as standard, IP 65 on request

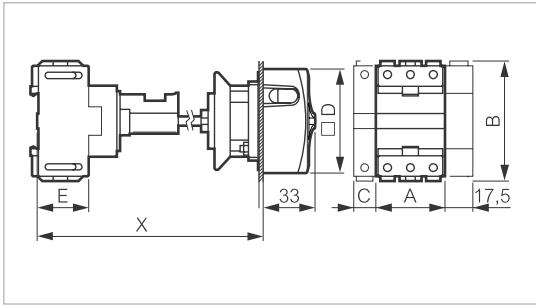


Characteristics (p. 316)

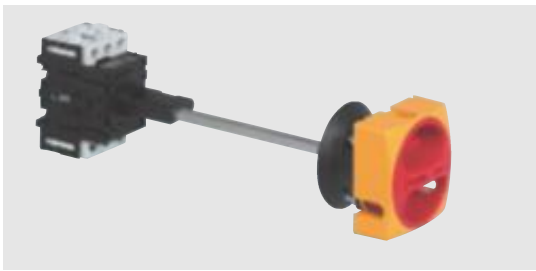
► REAR MOUNTING WITH CLUTCH DRIVE

PADLOCKABLE PRESENTATION

Cat. No.



Safety switch to disconnect and isolate poles.
 IP 20 "finger safe"
 With clutch drive and door interlock
 Double break type load switching
 Red handle on yellow plate
 Actual position (ON or OFF) clearly visible
 Conform to standards:
 IEC EN 60947-3
 Approved by UL - cUL – Suitable as motor disconnect



165009

25 A

3P (short shaft)

165009

32A

3P (short shaft)

165109

25 and 32 A dimensions

A: 44
 B: 75.4
 C: 14.5
 D: □ 66
 E: 31.5
 X: 125 to 250 (short shaft)
 250 to 400 (long shaft)

50 and 63 A dimensions

A: 53.6
 B: 85
 C: 17.9
 D: □ 66
 E: 42.2
 X: 135 to 260 (short shaft)
 260 to 410 (long shaft)

50 A

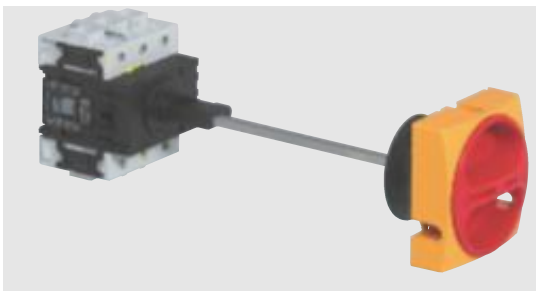
3P (short shaft)

165209

63 A

3P (short shaft)

165309



165409

80 A

3P (long shaft)

165409

100 A

3P (long shaft)

165509

80 and 100 A dimensions

A: 71.8
 B: 93
 C: 26.8
 D: □ 86
 E: 52.6
 X: 145 to 270 (short shaft)
 270 to 420 (long shaft)

Complete switch disconnectors 25 to 100 A

IP 40 as standard, IP 65 on request
and IP 66 on enclosure version with integral handle version

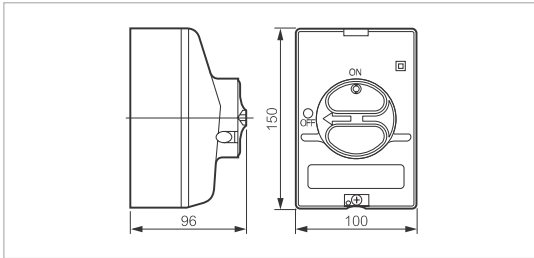


Characteristics (p. 316)

► ENCLOSURES

INTEGRAL PADLOCKABLE PRESENTATION

Cat. No.



Safety switch to disconnect and isolate poles.
IP 20 "finger safe"
With clutch drive and door interlock
Double break type load switching
Red handle on yellow plate
Actual position (ON or OFF) clearly visible
Conform to standards:
IEC EN 60947-3



172061

IP 66 - IK 07

20 A

3P

3P+NC/NO ⁽¹⁾

4P

172961

172971

172981

25 A

3P

3P+NC/NO ⁽¹⁾

172061

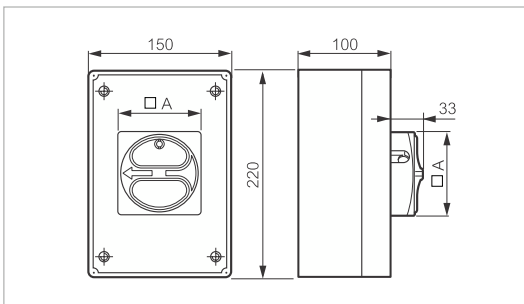
172071

32 A

3P

172161

PADLOCKABLE PRESENTATION



IP 40 ⁽²⁾

50 A

3P

172261

63 A

3P

172361

80 A

3P

172461

100 A

3P

172561

⁽¹⁾ Padlock: Ø 6 to 8 mm

⁽²⁾ IP 65 seal kit ref. 172267 (50 to 63 A)

172277 (80 to 100 A)



50 and 63 A dimensions

A: 66

80 and 100 A dimensions

A: 86

172261

Complete switch disconnectors 20 A

IP 40 as standard, IP 65 on request
Grey presentation



Characteristics (p. 316)

▶ FRONT MOUNTING

PADLOCKABLE PRESENTATION

Cat. No.

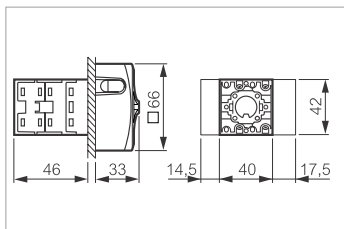


20 A - non-reversible terminals

3P

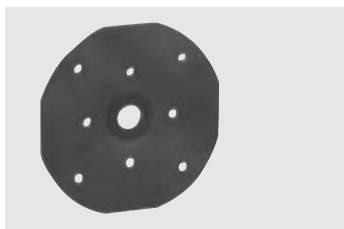
174901

174901



ACCESSORIES

Cat. No.



IP 65 seal kit

For front mounting with screws

172945

Terminal covers

For front mounting with screws

172965

172945

Complete switch disconnectors 25 to 100 A

IP 40 as standard, IP 65 on request
Grey presentation

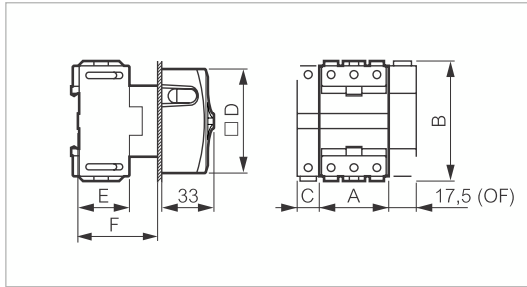


Characteristics (p. 316)

FRONT MOUNTING

PADLOCKABLE PRESENTATION

Cat. No.



Safety switch to disconnect and isolate poles.
IP 20 "finger safe"
Double break type load switching
Grey padlockable handle on grey plate
Actual position (ON or OFF) clearly visible
Conform to standards:
IEC EN 60947-3
Approved by UL - cUL – Suitable as motor disconnect



Dimensions

A: 44
B: 75.4
C: 14.5
D: □ 66
E: 36
F: 50

25 A

3P

174001

174001



Dimensions

A: 53.6
B: 85
C: 17.9
D: □ 66
E: 50.3
F: 60

50 A

3P

174201

174301



Dimensions

A: 71.8
B: 93
C: 26.8
D: □ 86
E: 63.8
F: 70

80 A

3P

174401

174401

100 A

3P

174501

(1) Padlock: ø 6 to 8 mm

Complete switch disconnectors 25 to 100 A

IP 40 as standard, IP 65 on request
Grey presentation

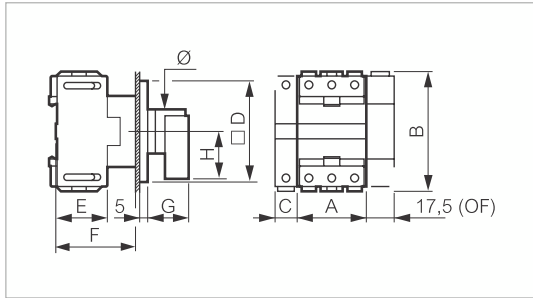


Characteristics (p. 316)

FRONT MOUNTING

WITH PLATE, FRAME AND HANDLE

Cat. No.



Safety switch to disconnect and isolate poles.
IP 20 "finger safe"
Double break type load switching
Black handle on aluminium plate
Actual position (ON or OFF) clearly visible
Conform to standards:
IEC EN 60947-3
UL - cUL approved – Suitable as motor disconnect



Dimensions

- A: 44
- B: 75.4
- C: 14.5
- D: □ 64
- E: 36
- F: 50
- G: 26
- H: 22
- Ø: 28

25 A

3P

174002

32 A

3P

174102

174002



Dimensions

- A: 53.6
- B: 85
- C: 17.9
- D: □ 72
- E: 50.3
- F: 60
- G: 26
- H: 30
- Ø: 28

50 A

3P

174202

63 A

3P

174302

174202



Dimensions

- A: 71.8
- B: 93
- C: 26.8
- D: □ 96
- E: 63.8
- F: 70
- G: 31
- H: 34
- Ø: 42

80 A

3P

174402

100 A

3P

174502

174402

Complete switch disconnectors 25 to 100 A

IP 40 as standard, IP 65 on request
Grey presentation

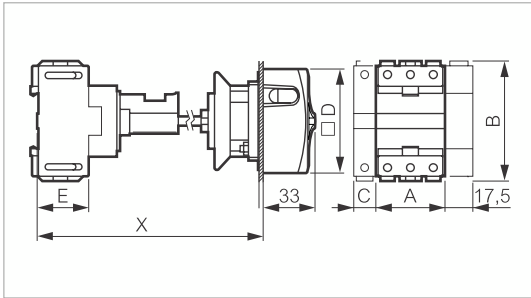


Characteristics (p. 316)

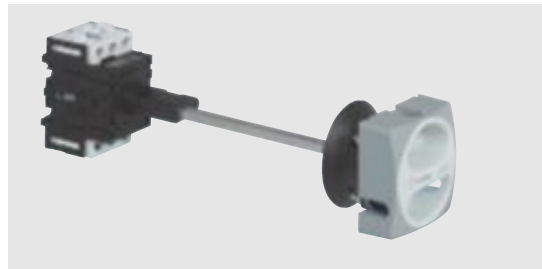
► REAR MOUNTING

PADLOCKABLE PRESENTATION

Cat. No.



Safety switch to disconnect and isolate poles.
IP 20 "finger safe"
With clutch drive and door interlock
Double break type load switching
Grey padlockable handle on grey plate
Actual position (ON or OFF) clearly visible
Conform to standards:
IEC EN 60947-3
Approved by UL - cUL – Suitable as motor disconnect

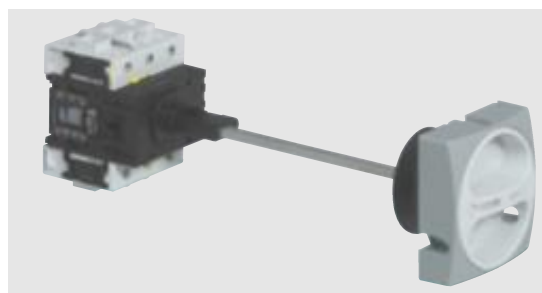


165009

- 25 A**
3P (short shaft) **168009**
- 32A**
3P (short shaft) **168109**

25 and 32 A dimensions	50 and 63 A dimensions
A: 44	A: 53.6
B: 75.4	B: 85
C: 14.5	C: 17.9
D: □ 66	D: □ 66
E: 31.5	E: 42.2
X: 125 to 250 (short shaft) 250 to 400 (long shaft)	X: 135 to 260 (short shaft) 260 to 410 (long shaft)

- 50 A**
3P (short shaft) **168209**
- 63 A**
3P (short shaft) **168309**



165409

- 80 A**
3P (long shaft) **168409**
- 100 A**
3P (long shaft) **168509**

80 and 100 A dimensions
A: 71.8
B: 93
C: 26.8
D: □ 86
E: 42.6
X: 145 to 270 (short shaft) 270 to 420 (long shaft)

Complete switch disconnectors 25 to 100 A

IP 40 as standard, IP 65 on request
Grey presentation

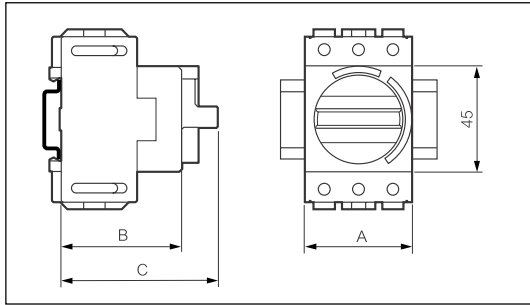


Characteristics (p. 316)

REAR MOUNTING

MODULAR IN-PANEL PRESENTATION

Cat. No.



Safety switch to disconnect and isolate poles.
IP 20 "finger safe"
Double break type load switching
Black handle on grey plate
Actual position (ON or OFF) clearly visible
Conform to standards:
IEC EN 60947-3
Approved by UL - cUL – Suitable as motor disconnect



Dimensions	
A:	44
B:	53
C:	79

25 A

3P

174005

32 A

3P

174105

174005



Dimensions	
A:	53.6
B:	63
C:	89

50 A

3P

174205

63 A

3P

174305

174205



Dimensions	
A:	71.8
B:	73
C:	99

80 A

3P

174405

100 A

3P

174505

174405

Complete switch disconnectors 25 to 100 A

IP 40 as standard, IP 65 on request and IP66 on enclosure version with integral handle version
Grey presentation

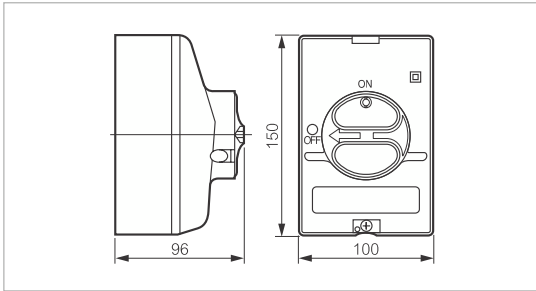


Characteristics (p. 316)

► ENCLOSURES

INTEGRAL PADLOCKABLE PRESENTATION

Cat. No.



Safety switch to disconnect and isolate poles.
IP 20 "finger safe"
With clutch drive and door interlock
Double break type load switching
Grey padlockable handle
Actual position (ON or OFF) clearly visible
Conform to standards:
IEC EN 60947-3

IP 66 - IK 07

25 A
3P

174061

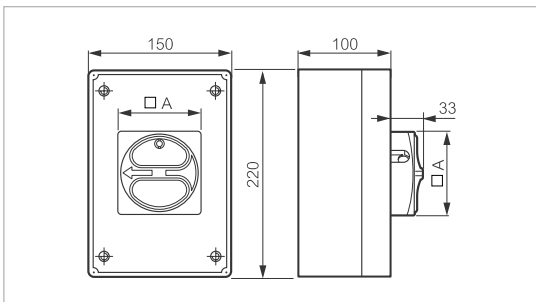
32 A
3P

174161



174061

PADLOCKABLE PRESENTATION



IP 40 (1)

50 A
3P

174261

63 A
3P

174361

80 A
3P

174461

100 A
3P

174561

(1) IP 65 with seal ref. 172267 (50 to 63 A)
172277 (80 to 100 A)



174261

50 and 63 A dimensions
A: □ 66

80 and 100 A dimensions
A: □ 86