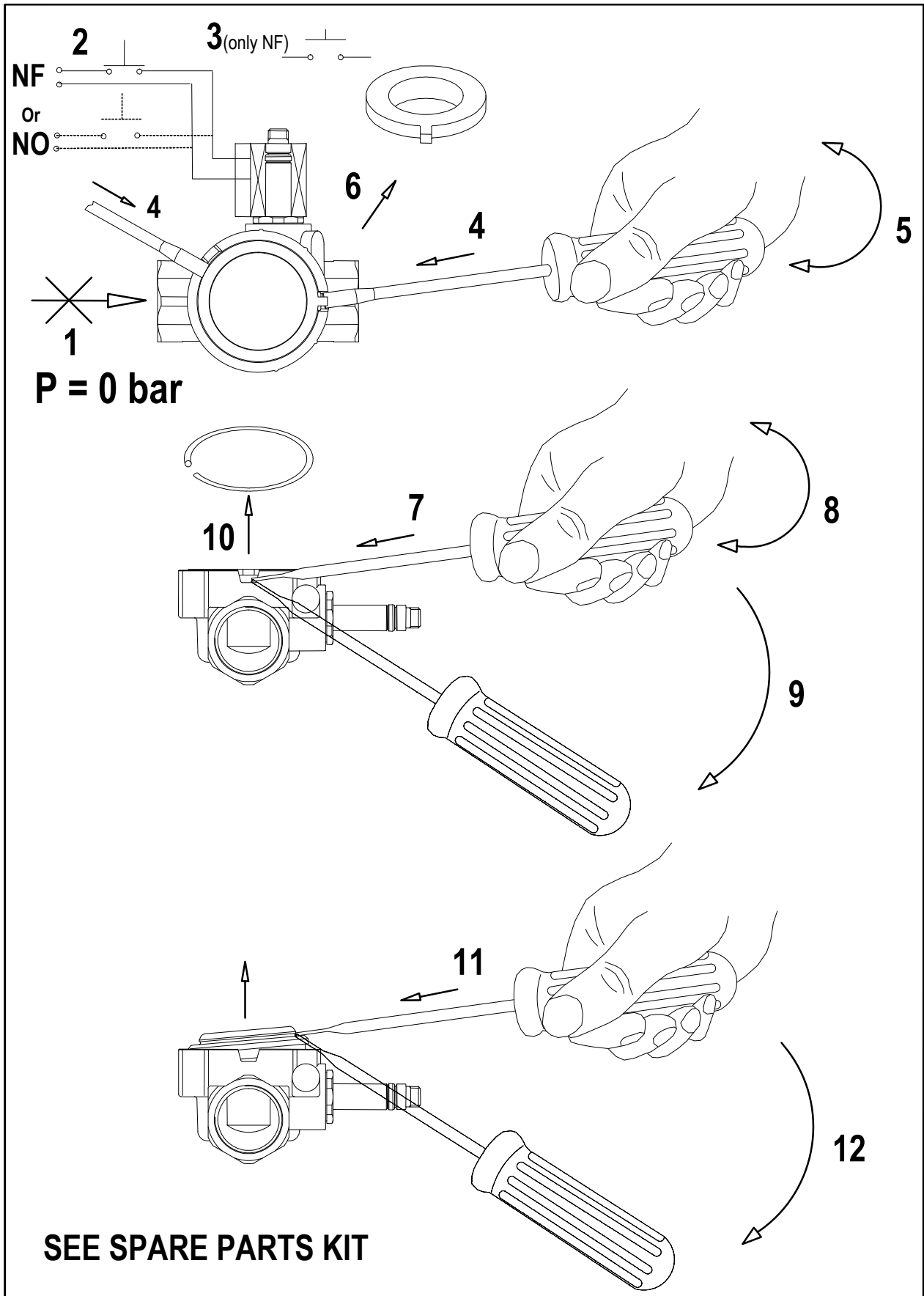


## OPENING INSTRUCTIONS

32 K....

2-WAY NORMALLY CLOSED SINGLE, DUAL FLOW FUEL  
DISPENSING VALVES AND 2 WAY NORMALLY OPEN SINGLE



SEE SPARE PARTS KIT

