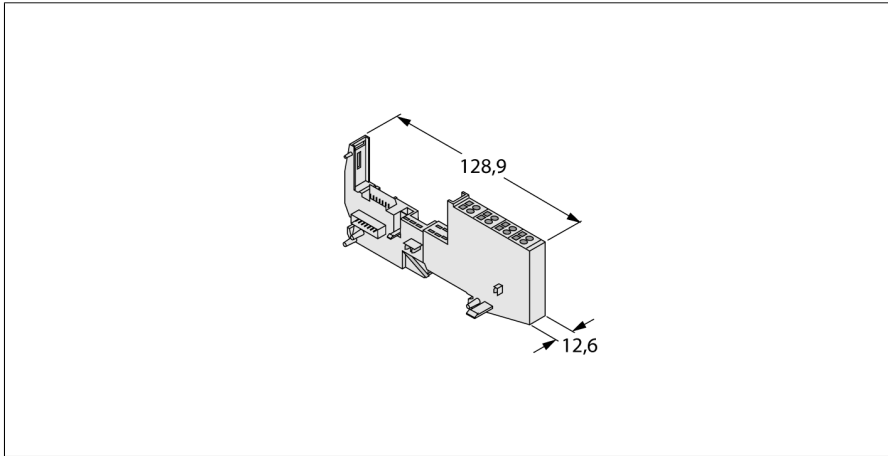


**BL20 base module**  
**Screw connection**  
**BL20-P4S-SBBC-B**

- Passive connection components for sensors and actuators
- Quick replacement of electronics in wired state
- Mechanical coding prevents plugging of wrong electronic module
- Protection class IP20
- Screw connection
- Disc design
- Access to C rail

<b>Type designation</b>	BL20-P4S-SBBC-B
Ident no.	6827043
<b>Protection class</b>	IP20