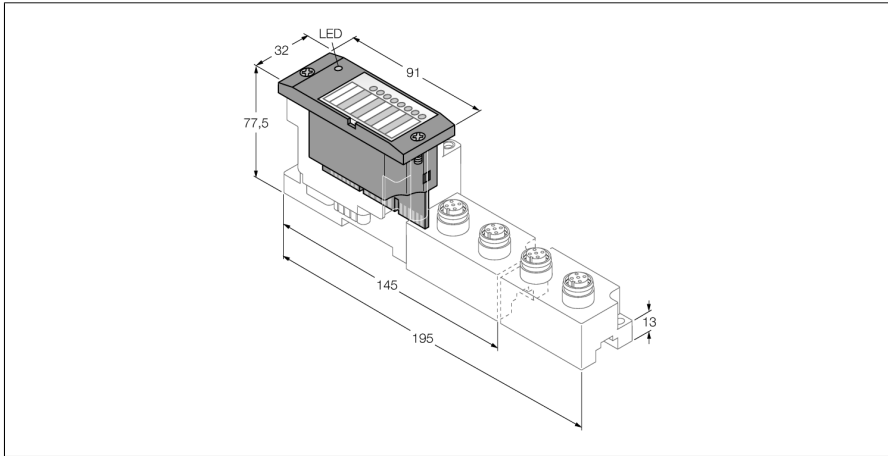


BL67 electronic module
2 analog outputs for current
BL67-2AO-I



- Independent of the type of fieldbus and connection technology used
- Protection class IP67
- LEDs indicate status and diagnostic
- Electronics galvanically separated from the field level via optocouplers
- 2 analog outputs
- 0/4...20 mA

Functional principle

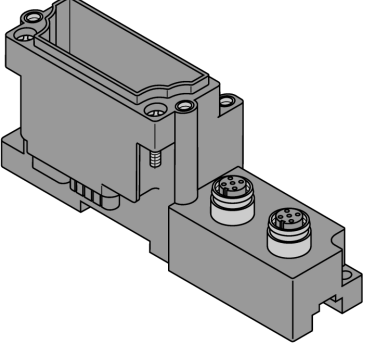
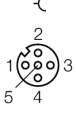
BL67 electronic modules are plugged on the purely passive base modules which in turn are connected to the field devices. The separation of connection level and electronics simplifies maintenance considerably. Flexibility is enhanced because the user can choose between base modules with different connection technologies.

The electronic modules are completely independent of the higher level fieldbus through the use of gateways.

Type designation	BL67-2AO-I
Ident no.	6827179
Number of channels	2
Supply voltage	24 VDC
Nominal voltage V_n	24 VDC
Nominal current from field supply	≤ 50 mA
Nominal current from module bus	≤ 40 mA
Max. sensor supply I_{sens}	250 mA per port, electronic short-circuit limiting
Power dissipation, typical	≤ 1 W
Output connectivity	M12
Outputs	
Output type	0/4...20 mA
Load resistance, resistive	< 0.45 k Ω
Load resistance, inductive	< 1 mH
Transmission frequency	< 200 Hz
Basic fault limit at 23 °C	< 0.2 %
Repeatability	0.05 %
Temperature coefficient	< 150 ppm/°C of full scale
Resolution	16 Bit
Measured-value display	16 bit signed integer 12 bit full range left justified
Number of parameter bytes	6
Dimensions (W x L x H)	32 x 91 x 59mm
Approvals	CE, cULus
Ambient temperature	-40...+70 °C
Storage temperature	-40...+85 °C
Relative humidity	5 to 95 % (internal), Level RH-2, no condensation (at 45 °C storage)
Vibration test	Acc. to EN 61131
- up to 5 g (at 10 to 150 Hz)	for mounting on DIN rail no drilling according to EN 60715, with end bracket
- up to 20 g (at 10 up to 150 Hz)	for mounting on base plate or machinery Therefore every second module has to be mounted with two screws each.
Shock test	Acc. to IEC 60068-2-27
Drop and topple	acc. to IEC 68-2-31 and free fall to IEC 68-2-32
Electromagnetic compatibility	Acc. to EN 61131-2
Protection class	IP67
Tightening torque fixing screw	0.9...1.2 Nm

BL67 electronic module
2 analog outputs for current
BL67-2AO-I

Compatible base modules

Dimension drawing	Type	Pin configuration
	<p>BL67-B-2M12 6827186 2 x M12, 5-pole, female, a-coded</p> <p>Comments Matching connection cable (for example): RKC5.501T-2-RSC5.501T/TXL Ident-No. 6628831</p>	<p>Pin Assignment</p>  <ul style="list-style-type: none"> 1 = V_{SENS} 2 = AO + 3 = GND 4 = AO - 5 = PE

BL67 electronic module
2 analog outputs for current
BL67-2AO-I

LED display

LED	Color	Status	Meaning
D		OFF	No error message or diagnostics active.
	RED	ON	Failure of module bus communication. Check if more than 2 adjacent electronic modules are pulled. Relevant modules are located between gateway and this module.
	RED	FLASHING (0.5 Hz)	Upcoming module diagnostics
AO channels 0 / 1			Without function

BL67 electronic module

2 analog outputs for current

BL67-2AO-I

Data mapping

DATA	BYTE	Bit 7	Bit 6	Bit 5	Bit 4	Bit 3	Bit 2	Bit 1	Bit 0
Output	m	AO 0 LSB							
	m+1	AO 0 MSB							
	m+2	AO 1 LSB							
	m+3	AO 1 MSB							

n = Offset of input data; depending on extension of station and the corresponding fieldbus.

m = Offset of output data; depending on extension of station and the corresponding fieldbus.

With PROFIBUS, PROFINET and CANopen, the I/O data of this module is localized within the process data of the whole station via the hardware configuration tool of the fieldbus master.

With DeviceNet™, EtherNet/IP™ and Modbus TCP a detailed mapping table can be created with the TURCK configuration tool I/O-ASSISTANT.